

Function Description

TTL I/O

APCIe-1711, CPCI-1711 and APCI-1710

Multifunction counter board, optically isolated



Product information

This manual contains the technical installation and important instructions for correct commissioning and usage, as well as production information according to the current state before printing.

The content of this manual and the technical product data may be changed without prior notice.

ADDI-DATA GmbH reserves the right to make changes to the technical data and the materials included herein.

Warranty and liability

The user is not authorised to make changes to the product beyond the intended use, or to interfere with the product in any other way.

ADDI-DATA shall not be liable for obvious printing and phrasing errors.

In addition, ADDI DATA, if legally permissible, shall not be liable for personal injury or damage to materials caused by improper installation and/or commissioning of the product by the user or improper use; for example, if the product is operated despite faulty safety and protection devices, or if notes in the operating instructions regarding transport, storage, installation, commissioning, operation, limit values, etc. are not taken into consideration.

Liability is further excluded if the operator changes the product or the source code files without authorisation and/or if the operator is guilty of not monitoring the permanent operational capability of working parts and this has led to damage.

Copyright

This manual, which is intended for the operator and its staff only, is protected by copyright. Duplication of the information contained in the operating instructions and of any other product information, or disclosure of this information for use by third parties, is not permitted, unless this right has been granted by the product licence issued. Non-compliance with this could lead to civil and criminal proceedings.

ADDI-DATA software product licence

Please read this licence carefully before using the standard software! The customer is only granted the right to use this software if he/she agrees with the conditions of this licence.

The software may only be used to set up the ADDI-DATA products.

Reproduction of the software is forbidden (except for back-up and for exchange of faulty data carriers). Disassembly, decompilation, decryption and reverse engineering of the software are forbidden. This licence and the software may be transferred to a third party if this party has acquired a product by purchase, has agreed to all the conditions in this licence contract and the original owner does not keep any copies of the software.

Trademarks

- ADDI-DATA, APCI-1500, MSX-Box and MSX-E are registered trademarks of ADDI-DATA GmbH.
- Turbo Pascal, Delphi, Borland C, Borland C++ are registered trademarks of Borland Software Corporation.
- Microsoft .NET, Microsoft C, Visual C++, MS-DOS, Windows 7, Windows 10, Windows Server 2000, Windows Server 2003, Windows Embedded and Internet Explorer are registered trademarks of Microsoft Corporation.
- Linux is a registered trademark of Linus Torvalds.
- LabVIEW, LabWindows/CVI, DASyLab, DIAdem are registered trademarks of National Instruments Corporation.
- CompactPCI is a registered trademark of PCI Industrial Computer Manufacturers Group.
- VxWorks is a registered trademark of Wind River Systems, Inc.
- RTX is a registered trademark of IntervalZero.



Warning!

The following risks result from the improper implementation of the board and from use contrary to the regulations:



Personal injury



Damage to the board, the PC and peripherals



Pollution of the environment.

- Protect yourself, others and the environment!

- Read the safety precautions (yellow leaflet) carefully!

If this leaflet is not enclosed with the documentation, please contact us and ask for it.

- Observe the instructions of this manual!

Make sure that you do not forget or skip any step!

We are not liable for damages resulting from the wrong use of the board.

- Pay attention to the following symbols:



NOTICE!

Designates hints and other useful information.



NOTICE!

Designates a possibly dangerous situation.

If the instructions are ignored, the board, the PC and/or peripherals may be **destroyed**.



WARNING!

Designates a possibly dangerous situation.

If the instructions are ignored, the board, the PC and/or peripherals may be **destroyed** and persons may be **endangered**.

Contents

Warning!3

Chapter overview5

1 Function description6

1.1 Board versions with “TTL I/O” function 6

1.2 Block diagram..... 7

1.3 Used signals..... 7

1.4 Pin assignment 8

1.5 Connecting the accessories (cables and screw terminal panel)..... 11

1.6 Connection example 13

2 Standard software14

3 Technical data and limit values.....15

3.1 Digital inputs and outputs (50-pin header) 15

4 Appendix16

4.1 Index..... 16

5 Contact and support17

Figures

Fig. 1-1: Block diagram: “TTL I/O” function..... 7

Fig. 1-2: Pin assignment: 50-pin header and 50-pin D-Sub male connector 8

Fig. 1-3: APcLe-1711: Connecting the accessories..... 11

Fig. 1-4: CPcIs-1711: Connecting the accessories 11

Fig. 1-5: APcI-1710: Connecting the accessories 12

Fig. 1-6: Connection example..... 13

Tables

Table 1-1: Used signals 7

Table 1-2: Pin assignment: 50-pin D-Sub male connector and 50-pin header 9

Chapter overview

In this manual, you will find the following information:

Chapter	Content
1	Function description including block diagram and pin assignment
2	Standard software: Information on the API software functions
3	List of technical data and limit values
4	Appendix with index
5	Contact and support address

This document solely describes the function “TTL I/O”.

For general information on the **APCle-/CPCIs-1711** or **APCI-1710**, please read the respective Technical Description of these boards (see PDF links). It contains, for example, the chapter “Inserting and installing the board” that supports you in commissioning.

1 Function description

Via the 50-pin header, TTL signals can be connected to the board.



NOTICE!

In case other signals are connected, these have to correspond to the TTL level to prevent the board from being damaged. Please also note that the ports are not optically isolated and that the board may be destroyed due to external voltage peaks!

Signals PA0 to PA7, PB0 to PB7 and PC0 to PC7 are connected in parallel to all four function modules of the board. To avoid malfunction, the “TTL I/O” function can be loaded only in one function module.

Features:

- For each function module 3 ports (A, B, C) with 8 digital inputs/outputs each (set as inputs after the reset)
- For each function module 1 Port (D) with 2 digital inputs/outputs (set as outputs after the reset)

1.1 Board versions with “TTL I/O” function



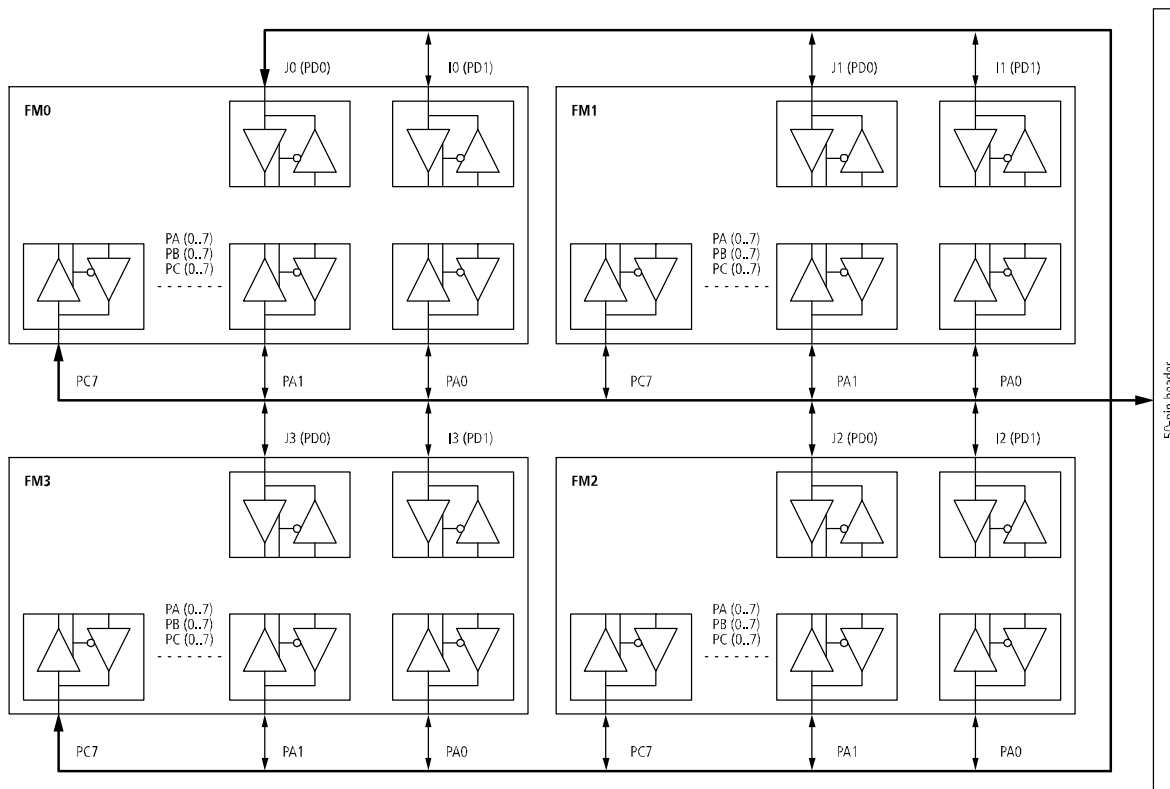
NOTICE!

The “TTL I/O” function can be used with every version of the **APCIE-1711**, **CPCIs-1711** or **APCI-1710**.

The I/O specifications of the different board versions are available in the Technical Description of the **APCIE-/CPCIs-1711** or **APCI-1710** (see PDF links).

1.2 Block diagram

Fig. 1-1: Block diagram: "TTL I/O" function



1.3 Used signals

Ports A, B and C of each function module (FM0 to FM3) each have eight inputs and outputs. In addition, each function module has two inputs and outputs (I and J) of port D, which can only be used for the "TTL I/O" function.

Table 1-1: Used signals

Pin name	Signal type	Function
PA0 to PA7	TTL	Input or output (after the reset: input)
PB0 to PB7	TTL	Input or output (after the reset: input)
PC0 to PC7	TTL	Input or output (after the reset: input)
GND	PC GND	GND, not optically isolated
Kx	TTL	Please do not connect anything!
Ix (PD0)	TTL	Input or output (after the reset: output)
Jx (PD1)	TTL	Input or output (after the reset: output)

Pin name	Signal type	Function
V. ext	PC +3.3 V (APCIe-/CPCIs-1711) PC +5 V (APCI-1710)	Voltage supply

x = Number of the function module (0-3)

1.4 Pin assignment

Fig. 1-2: Pin assignment: 50-pin header and 50-pin D-Sub male connector

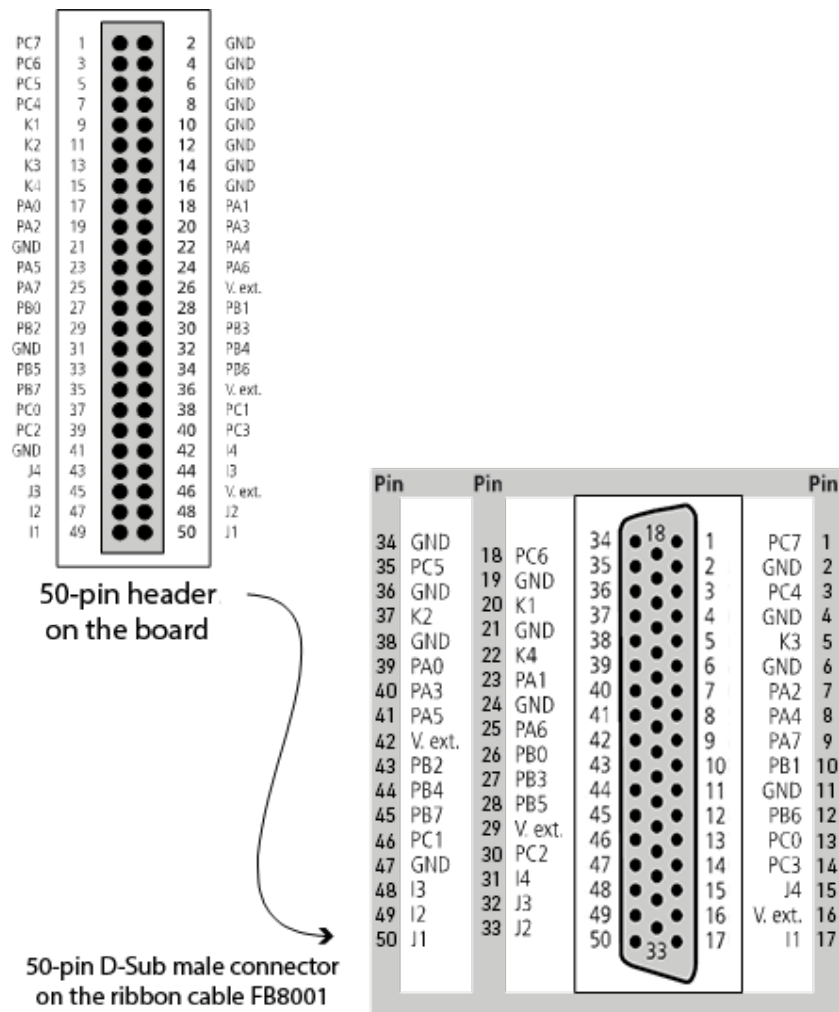


Table 1-2: Pin assignment: 50-pin D-Sub male connector and 50-pin header

Pin name	FB8001	Board
	Pin No. (50-pin D-Sub male connector)	Pin No. (50-pin header)
GND	2	
GND	4	
GND	6	
GND	11	
GND	19	
GND	21	
GND	24	
GND	34	
GND	36	
GND	38	
GND	47	
I1 ²	17	
I2 ²	49	
I3 ²	48	
I4 ²	31	
J1 ²	50	
J2 ²	33	
J3 ²	32	
J4 ²	15	
K1	20	
K2	37	
K3	5	
K4	22	
PA0	39	
PA1	23	
PA2	7	
PA3	40	
PA4	8	

Pin name	Pin No. (50-pin D-Sub male connector)	Pin No. (50-pin header)
PA5		41
PA6		25
PA7		9
PB0		26
PB1		10
PB2		43
PB3		27
PB4		44
PB5		28
PB6		12
PB7		45
PC0		13
PC1		46
PC2		30
PC3		14
PC4		3
PC5		35
PC6		18
PC7 ¹		1
V. ext.		42
V. ext.		29
V. ext.		16

1: PA, PB and PC: Pull-up resistor to 3.3 V (APCIE-/CPCIS-1711) or 5 V (APCI-1710)

2: PD: Serial resistor 100 Ω

1.5 Connecting the accessories (cables and screw terminal panel)

Fig. 1-3: APCle-1711: Connecting the accessories

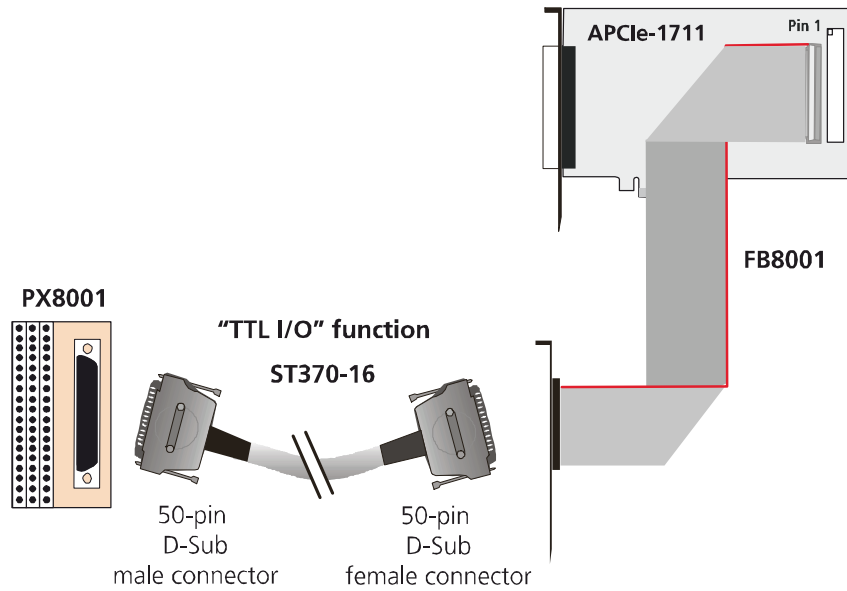


Fig. 1-4: CPCIs-1711: Connecting the accessories

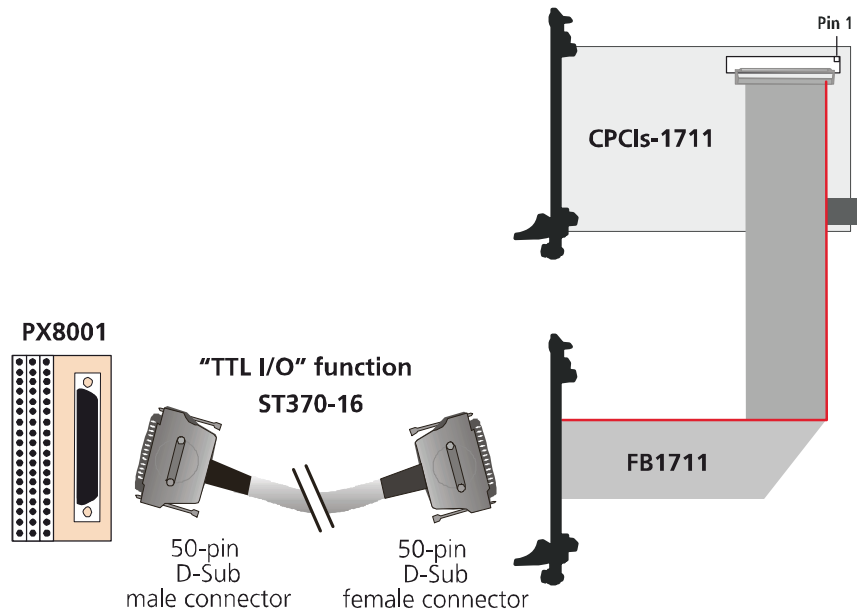
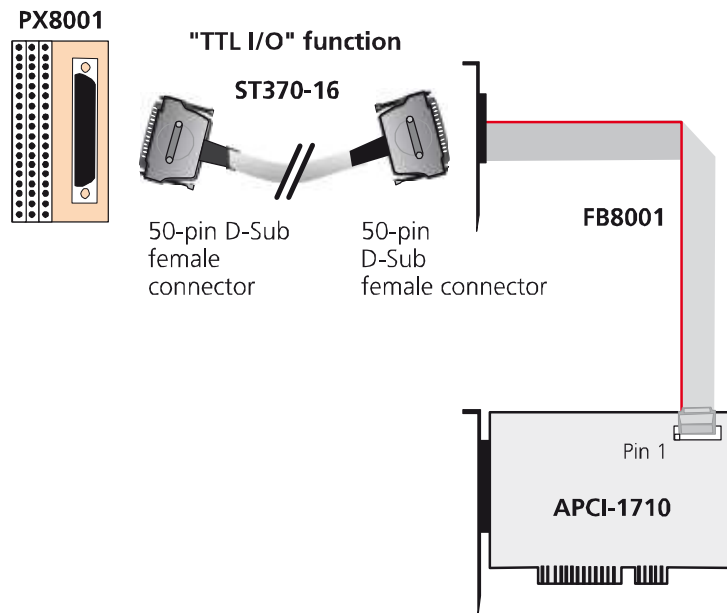


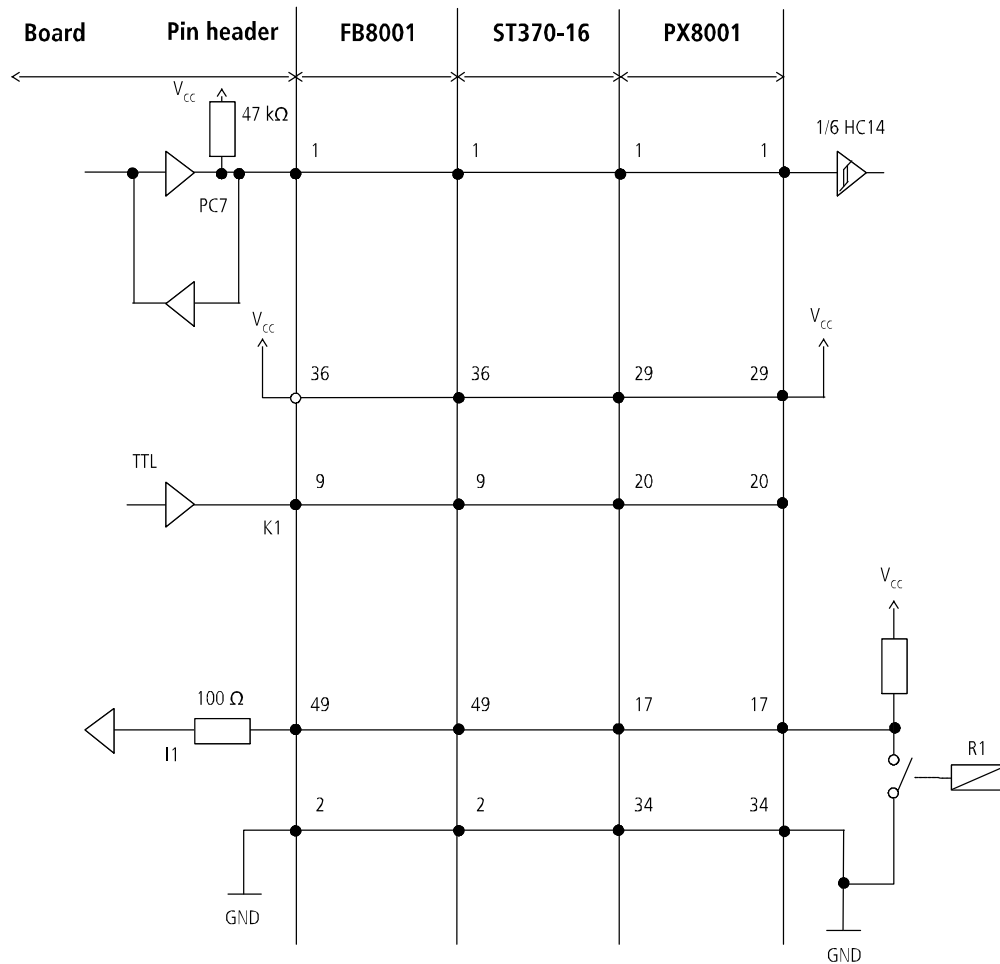
Fig. 1-5: APCI-1710: Connecting the accessories

**NOTICE!**

Plug the **FB8001** or **FB1711** cable into the connector by inserting the red (or blue or black) cable lead into pin 1.

1.6 Connection example

Fig. 1-6: Connection example



Ports A, B and C are each set to V_{CC} via a pull-up resistor (47 kΩ).

2 Standard software

The API software functions supported by the board are listed in an HTML document. A description of how to access the respective file can be found in the document "Quick installation PC boards" (see PDF link), in the chapter "Standard software".

3 Technical data and limit values

3.1 Digital inputs and outputs (50-pin header)



NOTICE!

The TTL inputs and outputs are not optically isolated. Please make sure that no signal from the peripherals is connected to the inputs and outputs when the PC system is switched off or being booted up or shut down. This can be realised by means of a relay or tri-state circuit between the peripherals and the TTL inputs and outputs. Moreover, the TTL outputs must be protected against short-circuit through the connected signals.

APC1e-1711, CPC1s-1711

Max. input voltage:	4 V (PC supply voltage = 3.3 V \pm 5%)
Max. output current:	40 mA (no short-circuit protection)
Signal thresholds:	
Input logic 1:	1.7 V min.
Input logic 0:	0.8 V max.
Output logic 1:	2.4 V min. (PC supply voltage \geq 3 V)
Output logic 0:	0.45 V max. (PC supply voltage \geq 3 V)

APCI-1710

Max. input voltage:	4.75 V (PC supply voltage = 5 V \pm 5%)
Max. output current:	25 mA (no short-circuit protection)
Signal thresholds:	
Input logic 1:	2 V min.
Input logic 0:	0.8 V max.
Output logic 1:	2.4 V min. (PC supply voltage \geq 4.75 V)
Output logic 0:	0.45 V max. (PC supply voltage \geq 4.75 V)

4 Appendix

4.1 Index

Accessories
 Connection 11
Block diagram 7
Board versions 6
Connection example 13
Features 6

Pin assignment 8
Signals 7
Standard software 14
Technical data 15

5 Contact and support

Do you have any questions? Write or call us:

Address: ADDI-DATA GmbH
Airpark Business Center
Airport Boulevard B210
77836 Rheinmünster
Germany

Phone: +49 7229 1847-0

Fax: +49 7229 1847-222

E-mail: info@addi-data.com

Manual and software download from the Internet:

<https://drivers.addi-data.com>